



RCxx24 LED Racquetball Court 2x4

Frame Out / Flange Mount / T-Bar Lay-In



Project	
Type:	Approved By:

Lumen ID	Wattage	Delivered Lumens
12000	84	10,649 to 11,254
17000	118	14,473 to 15,881
19000	139	16,476 to 17,412

Delivered lumen range based on 3500K to 5000K CCT.

APPLICATIONS

Designed specifically for racquetball, squash and handball courts.

CONSTRUCTION

.032" white pre-painted aluminum housing and inner tray, access plate for power feed, obscured tempered glass lens.

MOUNTING OPTIONS

Frame out (14.5" or 10.5" width) or flange mount for recessed hard ceiling openings, lay-in for t-bar grid ceilings or existing frame.

SYSTEM SPECIFICATIONS

12,000 to 19,000 nominal lumens (84 to 139w), High flux linear LED modules: 80+ CRI, CCT: 3500K, 4000K or 5000K. Constant current LED power supplies: power factor > 0.9, THD < 20%, universal voltage 120-277v, 347-480v.

DIMMING, CONTROLS & EMERGENCY OPTIONS

0-10v dim to 0%, dim by line voltage (120v), PIR court motion sensor, emergency battery back up.

RATINGS & WARRANTY

Temperature rated from -4°F to 122°F (-20°C to 50°C), service life > 100,000 hours (L90), 5 year product warranty, CSA listed, RoHS compliant, BAA/TAA/BABA compliant. All fixtures are made in the USA and bench tested prior to shipping.

ORDERING INFORMATION

RSD				OTG		
Series	Housing Type	Lumen ID	CCT	Lens	Voltage	
1st Source LED	RCFM24 = Frame Out	12000	35K	OTG = Obscured Tempered Glass	U = Universal 120-277v	
Recessed Series	RCFL24 = Flange Mount	17000	40K		3 = 347v	
	RCTB24 = T-Bar Lay-in	19000	50K		4 = 480v	

Dimming & Controls

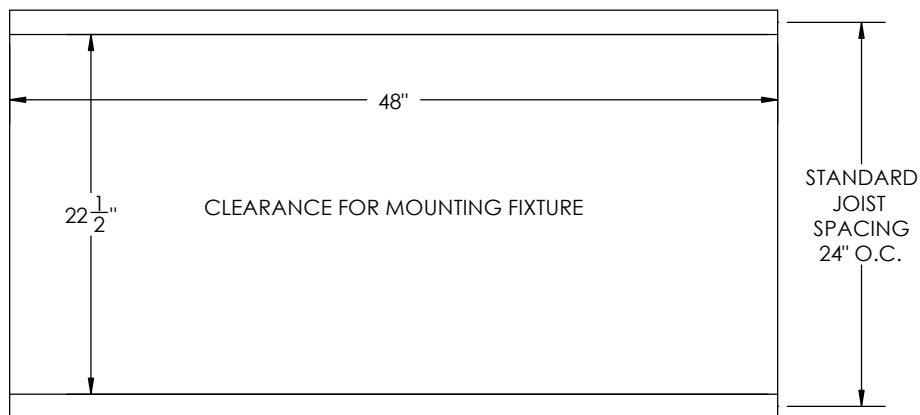
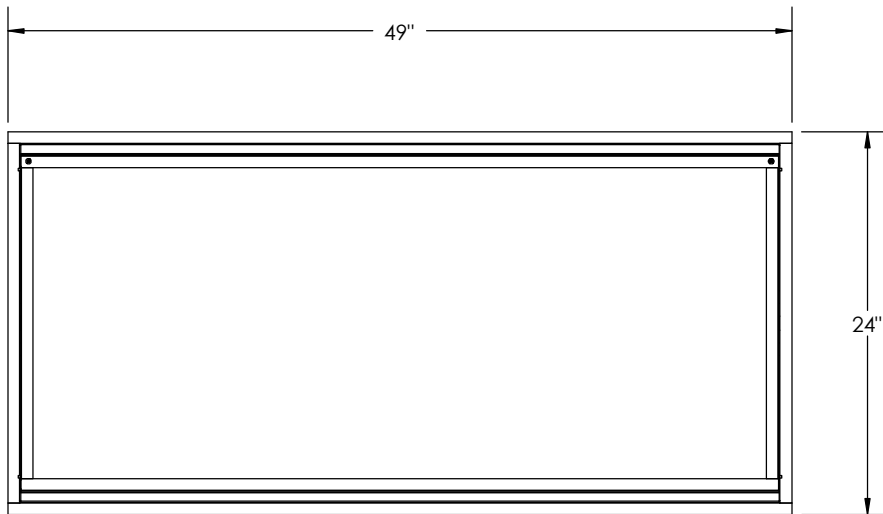
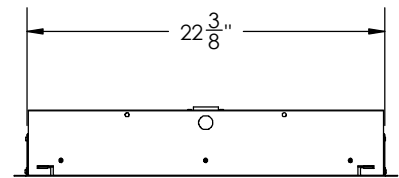
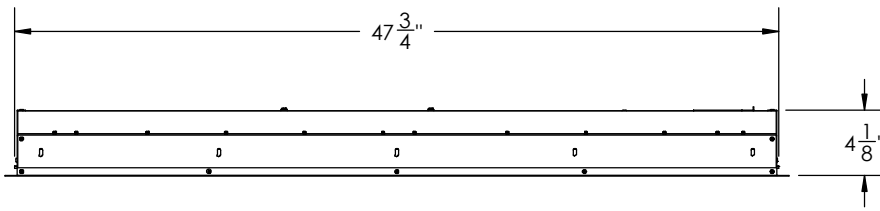
D0 = Dim to Off (0%)
 DLV = Dim by Line Voltage (120v Only)
 CMS = PIR Court Motion Sensor*
 *Purchase separately

Fixture Accessories

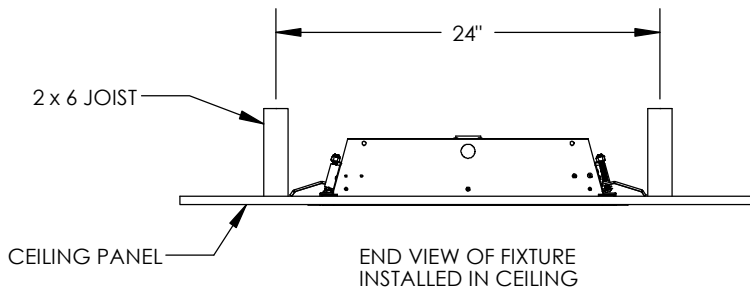
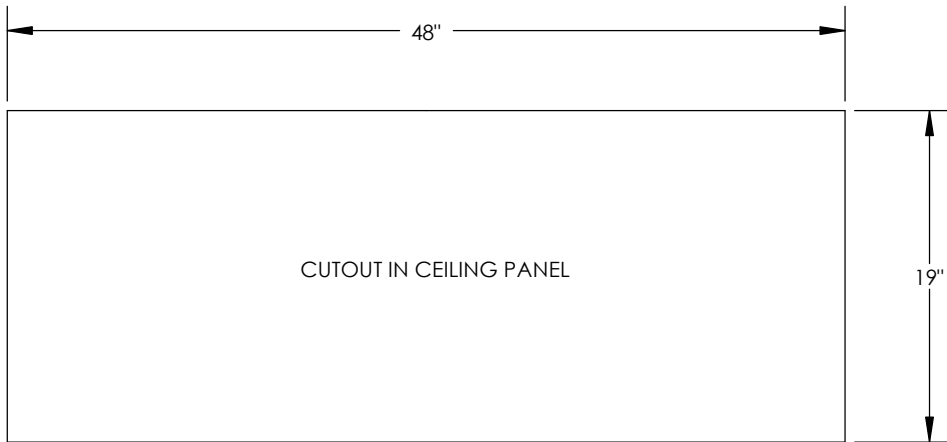
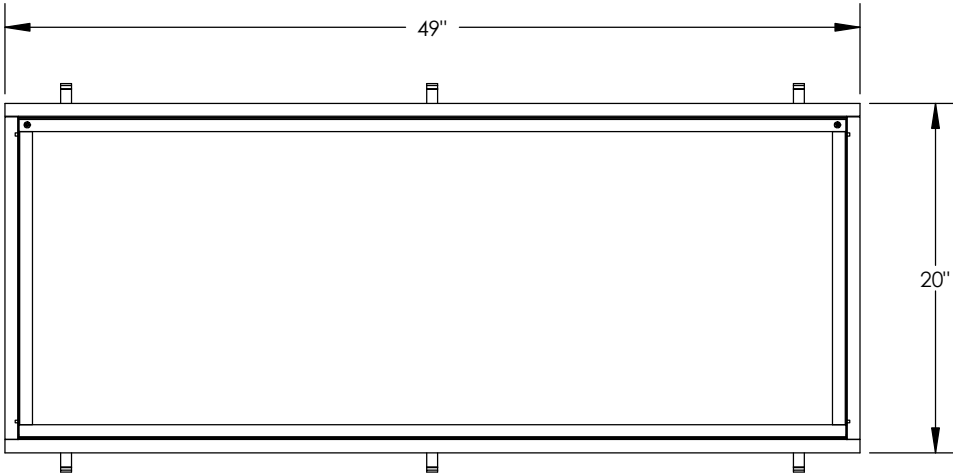
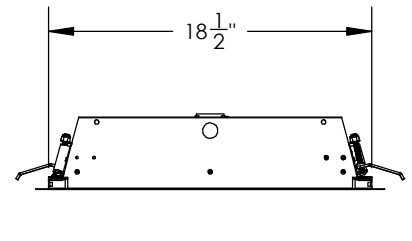
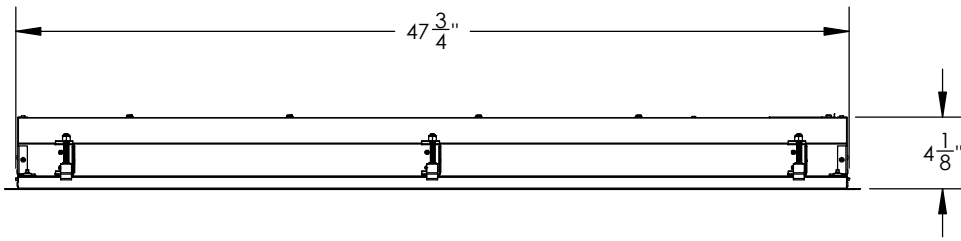
C6 = 6 ft 16/3 SO Cord
 P = Plug (Specify NEMA)
 EM/2300 = EM Driver 2300 Lumens (16w)
 EM/2900 = EM Driver 2900 Lumens (20w)



DIMENSIONS: RCFM24 Frame Out



DIMENSIONS: RCFL24 Flange Mount



DIMENSIONS: RCTB24 T-Bar Lay-in

