



RCxx14 Linear LED 1x4 Troffer

Frame Out / Flange Mount / T-Bar Lay-In



Project	
Type:	Approved By:

Lumen ID	Wattage	Delivered Lumens
12000	84	11,809 to 12,480
17000	118	16,126 to 17,042
19000	139	18,756 to 19,821

Delivered lumen range based on 3500K to 5000K CCT.

APPLICATIONS

Production and manufacturing facilities, schools, hospitals, multi-purpose rooms, gymnasiums, industrial applications, etc.

CONSTRUCTION

.032" white pre-painted aluminum housing and inner tray, access plate for power feed, D92 diffused high impact lens.

MOUNTING OPTIONS

Frame out (10.5" or 14.5" width) or flange mount for recessed hard ceiling openings, lay-in for t-bar grid ceilings or existing frame.

SYSTEM SPECIFICATIONS

12,000 to 19,000 nominal lumens (84 to 139w), High flux linear LED modules: 80+ CRI, CCT: 3500K, 4000K or 5000K. Constant current LED power supplies: power factor > 0.9, THD < 20%, universal voltage 120-277v, 347-480v.

DIMMING, CONTROLS & EMERGENCY OPTIONS

0-10v dim to 0%, dim by line voltage, integrated motion sensor, emergency battery back up. Consult factory for wireless controls.

RATINGS & WARRANTY

Temperature rated from -40°F to 122°F (-40°C to 50°C), service life > 100,000 hours (L90), 5 year product warranty, CSA listed, RoHS compliant, BAA/TAA/BABA compliant. All fixtures are made in the USA and bench tested prior to shipping.

ORDERING INFORMATION

Series	Housing Type	Lumen ID	CCT	Lens	Voltage
1st Source LED Recessed Series	RCFM14 = Frame Out (14.5 W) RCFMN14 = Frame Out (10.5 W) RCFL14 = Flange Mount RCTB14 = T-Bar Lay-in	12000 17000 19000	35K 40K 50K	D92 = Diffused High Impact Polycarbonate	U = Universal 120-277v 3 = 347v 4 = 480v

Dimming & Controls

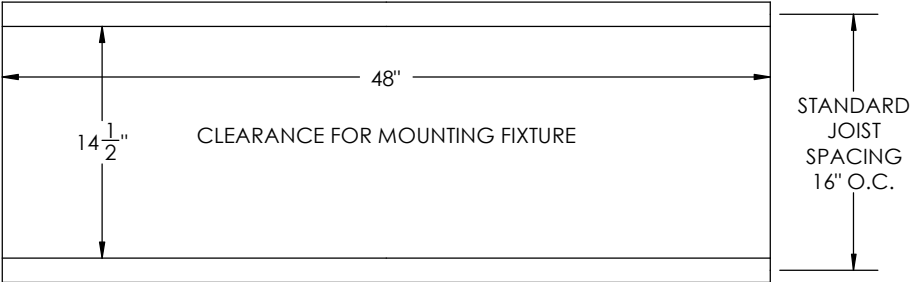
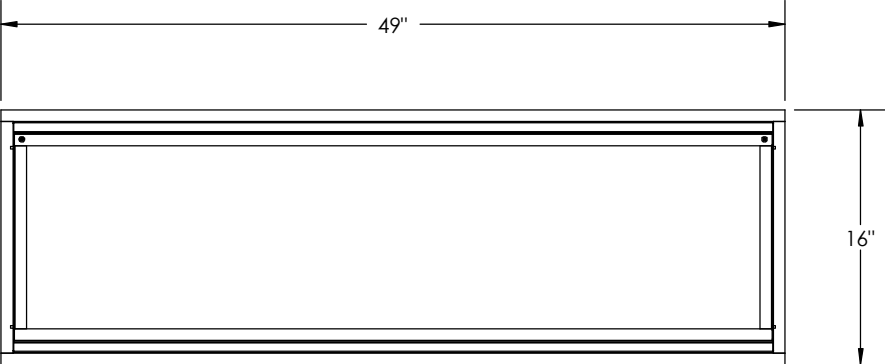
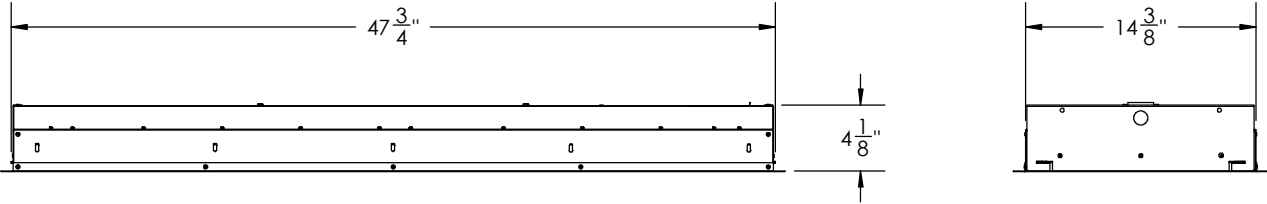
D0 = 0-10v Dim to Off (0%)
DLV = Dim by Line Voltage (120v Only)
MS = Motion Sensor*
*15min hold with 30 min standby @ 40%.
Consult factory for custom sensor settings.

Fixture Accessories

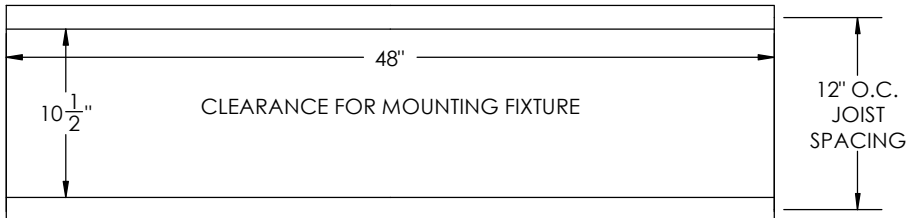
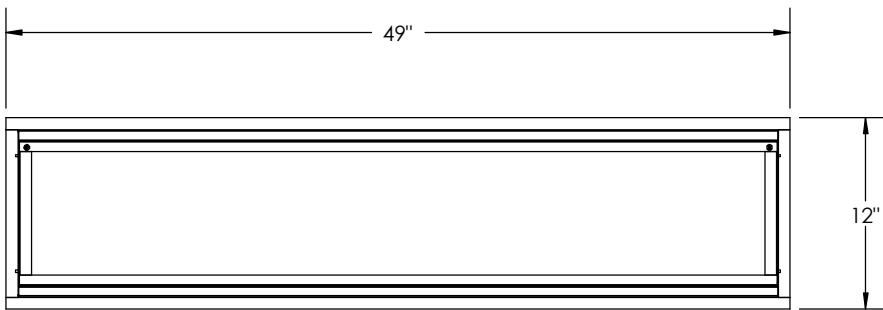
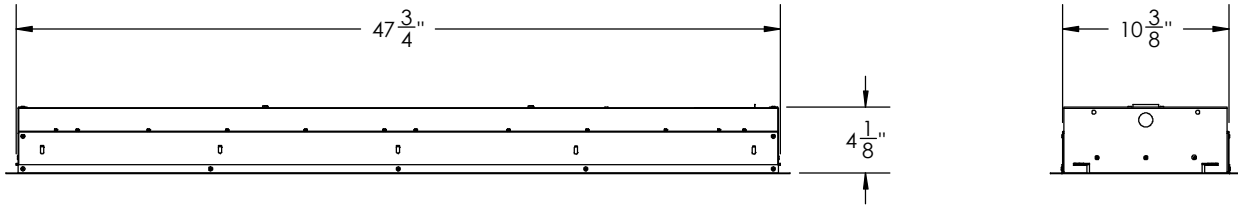
C6 = 6 ft 16/3 SO Cord
P = Plug (Specify NEMA)
EM/2300 = EM Driver 2300 Lm*
EM/2900 = EM Driver 2900 Lm
*EM drivers rated to -4°F max.



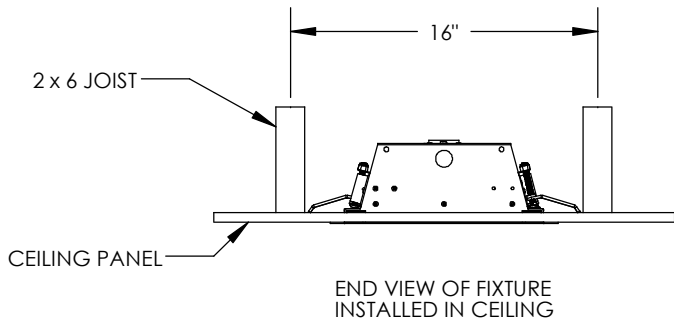
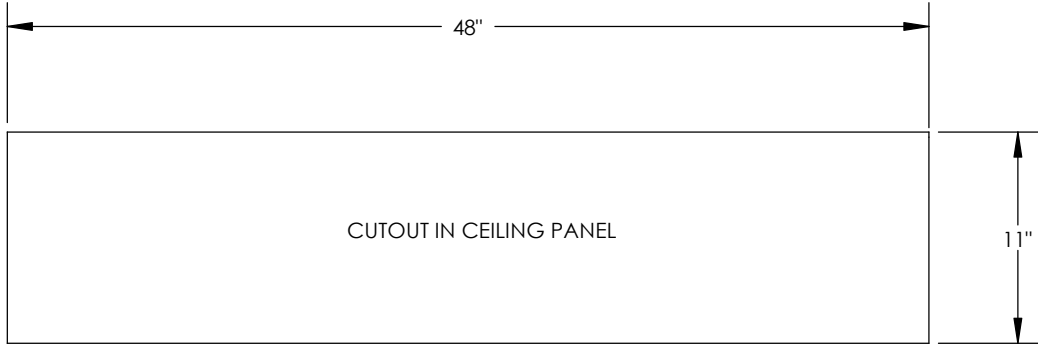
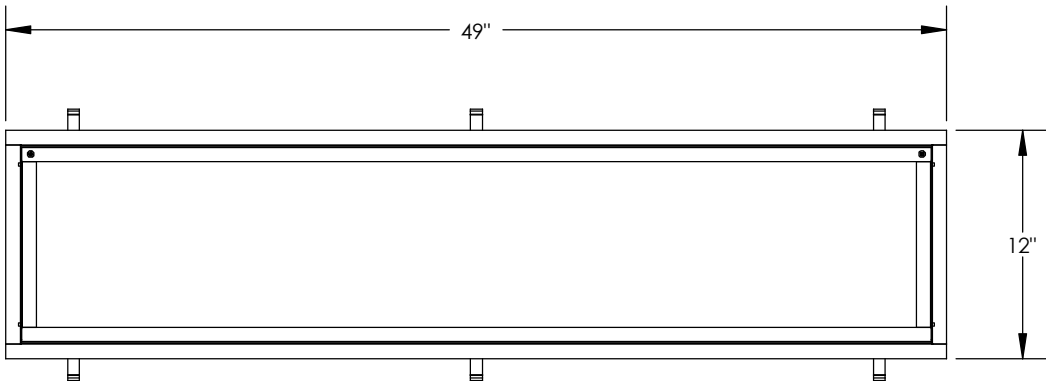
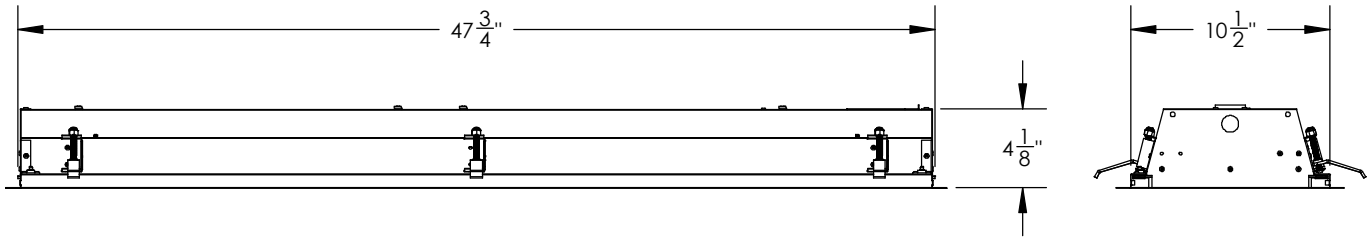
DIMENSIONS: RCFM14 Frame Out (14.5" Width)



DIMENSIONS: RCFMN14 Frame Out (10.5" Width)



DIMENSIONS: RCFL14 Flange Mount



DIMENSIONS: RCTB14 T-Bar Lay-In

