



# Linear LED Pickleball Lights

Direct/Indirect Courtside Lighting For Indoor Pickleball Courts



Project	
Type:	Approved By:



## APPLICATIONS

Designed for indoor pickleball courts. Tri-directional 180 degree light output for wall-to-wall and floor-to-ceiling illumination.

## CONSTRUCTION

.032" white pre-painted aluminum housing and inner tray, knockouts provided for power feed, diffused acrylic lens.

## MOUNTING OPTIONS

Standard mounting by unistrut provides maximum flexibility for mounting to a ceiling structure. Adjustable angle brackets allow for fixture aiming in 5 degree increments. Also available with a cable mount channel for hanging

## SYSTEM SPECIFICATIONS

4 ft @ 19,000 nominal lumens (125w) or 8 ft @ 38,000 nominal lumens (250w). High flux linear LED modules: 80+ CRI, CCT: 3500K, 4000K or 5000K. Constant current LED power supplies: power factor > 0.9, THD < 20%, universal voltage 120-277v, 347-480v.

## DIMMING & CONTROLS

0-10v dim to 0%, dim by line voltage, wireless dimming with fixture control sensor and controller switch, gateway for online access.

## RATINGS & WARRANTY

Temperature rated from -4°F to 122°F (20°C to 50°C), service life > 100,000 hours (L90), 5 year product warranty, CSA listed, RoHS compliant, BAA/TAA/BABA compliant. All fixtures are made in the USA and bench tested prior to shipping.

## DIMENSIONS

4 ft: 46.25" x 3.25" x 3.8", approx. 6 lbs, 8 ft: 93.50" x 3.25" x 3.8", approx. 12 lbs

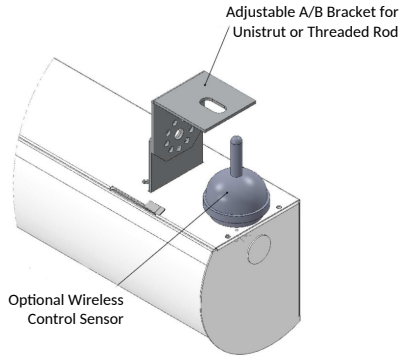
## ORDERING INFORMATION

BAY							
Series	Length	Arrays	Lumen ID	CCT	Lens	Voltage	
1st Source LED	LHB4 = 4 ft	- 3 -	19000	35K	DAC = Diffused Acrylic	U = Universal 120-277v	
High Bay Series	LHB8 = 8 ft	- 6 -	38000	40K		3 = 347v	
				50K		4 = 480v	

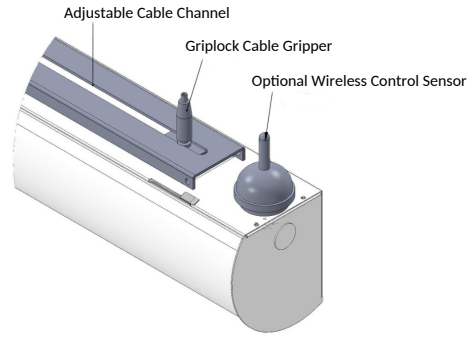
Mounting Options	Dimming	Control Accessories	Additional Accessories
ABM = Angle Bracket Mount CCM = Cable Channel Mount Consult factory for custom mounting.	D0 = 0-10v Dim to 0% W/D0 = Wireless 0-10v Dim to 0%* DLV = Dim by Line Voltage (120v Only) * Requires fixture control sensor and wireless controller switch.	Wireless Fixture Control Sensor Wireless Controller Switch Wireless Controller Switchbox Wireless Control Gateway	C6 = 6 ft 16/3 SO Cord P = Plug (Specify NEMA)

**STANDARD MOUNTING OPTIONS**

**Angle Bracket Mount**

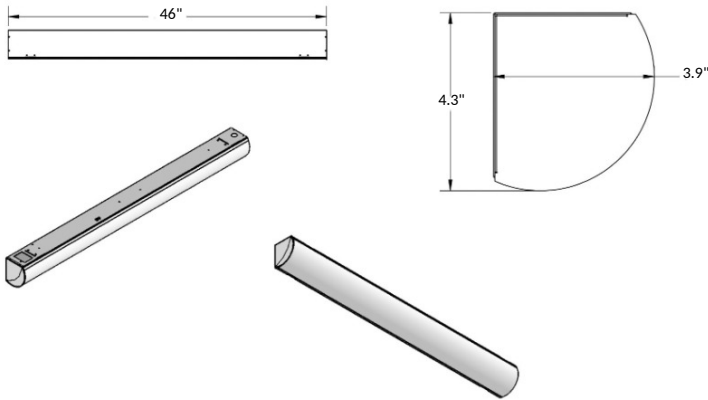


**Cable Channel Mount**



**4 ft Dimensions**

Weight: Approx 6 lbs.



**8 ft Dimensions**

Weight: Approx 12 lbs

