

GRID CEILING  
**RCTB22-SF** LED High Lumen Recessed  
 Sealed Face Troffer 2x2



**LENS OPTIONS & DELIVERED LUMENS**

| Part ID | Wattage | CCT | Clear Lens | LPW | Diffused Lens | LPW |
|---------|---------|-----|------------|-----|---------------|-----|
| 12000   | 84      | 35K | 11,859     | 141 | 11,809        | 141 |
| 12000   | 84      | 40K | 12,129     | 145 | 12,077        | 144 |
| 12000   | 84      | 50K | 12,533     | 149 | 12,480        | 149 |
| 17000   | 118     | 35K | 16,274     | 138 | 16,126        | 137 |
| 17000   | 118     | 40K | 16,672     | 141 | 16,520        | 140 |
| 17000   | 118     | 50K | 17,198     | 146 | 17,042        | 145 |
| 19000   | 139     | 35K | 19,024     | 137 | 18,756        | 135 |
| 19000   | 139     | 40K | 19,457     | 140 | 19,182        | 138 |
| 19000   | 139     | 50K | 20,105     | 145 | 19,821        | 143 |

|           |              |
|-----------|--------------|
| Project : |              |
| Type:     | Approved By: |

**APPLICATIONS**

Damp industrial locations, food processing, bottling plants, natatoriums, manufacturing and production facilities, cold storage environments.

**CONSTRUCTION**

.032" white pre-painted aluminum, EPDM rubber gasket and silicone sealed door with clear or diffused D92 high impact lens, top access plate for quick power connection, captive screws with nylon retaining clips.

**MOUNTING**

Lay-in troffer for recessed t-bar grid ceilings. Consult factory for custom mounting and housing dimensions.

**SYSTEM SPECIFICATIONS**

Hi flux linear LED modules, CRI > 80, CCT: 3500K, 4000K or 5000K. Constant current LED power supplies, power factor > 0.9, THD < 20%, universal voltage 120-277v, 347-480v available.

**DIMMING & CONTROLS**

0-10v dimming, dim to off or dim by line voltage. Integrated microwave motion sensor, wireless protocol from switch, PC or handheld device, A/B array switching, emergency driver battery back-up option.

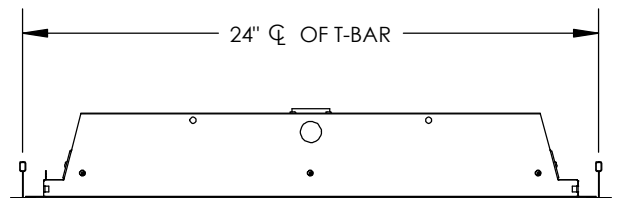
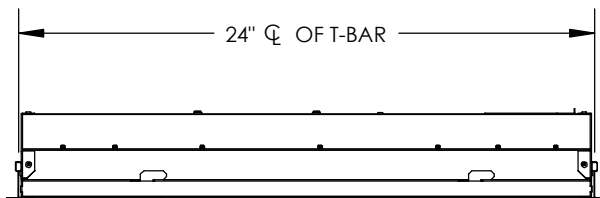
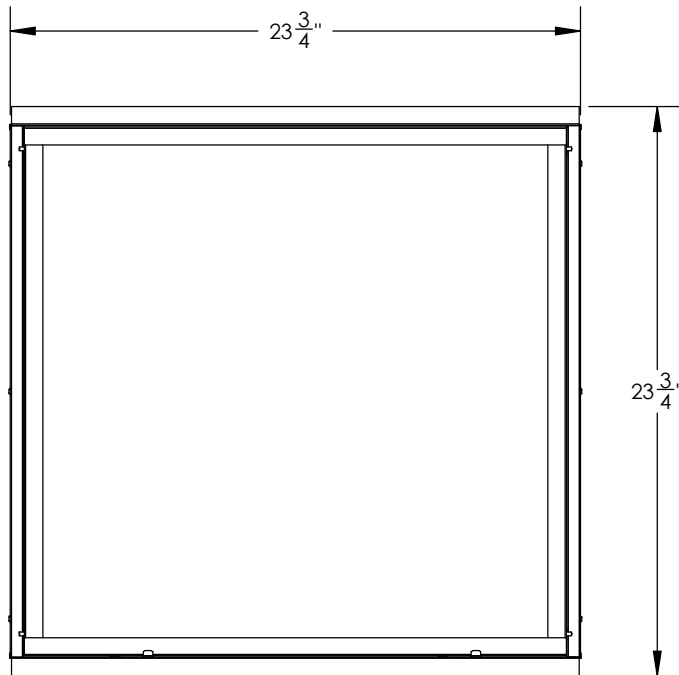
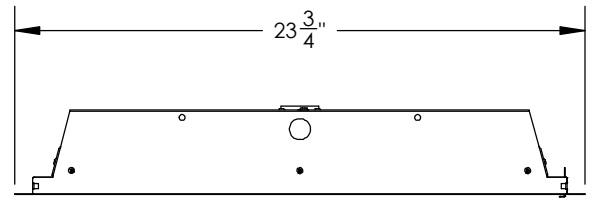
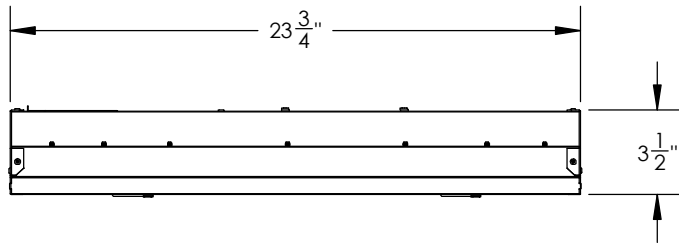
**RATINGS & WARRANTY**

Temperature rated from -28°C to 50°C (-20°F to 122°F), service life > 100,000 hours (L90). CSA listed, BAA compliant. Made in the USA. 5 year product warranty. Consult factory for extended warranties.

**Ordering Information**

| RSD                               |                       | RCTB22   |                   |  |                                      |   |  |  |  |
|-----------------------------------|-----------------------|--|-------------------|--|--------------------------------------|---|--|--|--|
| Series                            | Housing               | Part ID  | CCT               | Lens   | Voltage                              | Gasket Seal   | Dimming, EM, Controls  |  |  |
| 1st Source LED<br>Recessed Series | Recessed<br>T-Bar 2x2 | 12000 = 12,000<br>17000 = 17,000<br>19000 = 19,000 | 35K<br>40K<br>50K | AC =<br>Acrylic Clear<br><br>D92 =<br>Diffused D92<br>High Impact<br>Polycarbonate | U = 120-277v<br>3 = 347v<br>4 = 480v | SF =<br>Sealed Face<br><br>SF/NAT =<br>Sealed Face<br>with Epoxy<br>Based Powder<br>Coat for Pools<br>& Natatoriums | D0 = Dim to Off<br>D10 = Dim to 10%<br>DLV = Dim by Line Voltage<br><br>Emergency Drivers<br>EM/2300 = 2,300L @ 16w<br>EM/2900 = 2,900L @ 20w<br><br>Controls (Consult Factory)<br>Integrated Motion Sensor<br>Daylight Harvesting<br>A/B Array Switching<br>Wireless Control System |  |  |





|                            |  |   |                             |            |               |
|----------------------------|--|---|-----------------------------|------------|---------------|
| TITLE:<br><b>RCTB22-SF</b> |  |   | FILE LOCATION:<br>\\        |            |               |
| 3RD ANGLE PROJ:            |  |   | UNLESS OTHERWISE NOTED:     |            |               |
| SIZE:<br><b>A</b>          | UNITS:<br>INCHES<br><small>GD&amp;T ASME<br/>Y14.5M-1994</small> | TOLERANCES:<br>.X ±.06<br>.XX ±.03<br>.XXX ±.010<br>∠ ±1.0° | SHEET: 1 of 1               | SCALE: 1:8 | DRAWN BY: JMG |
|                            |  |   | DATE: 6/29/2018             | JO: XXXX   | REV: N/C      |
|                            |  |   | DWG #: RCTB22-SF DIMENSIONS |            |               |



1730 Industrial Drive, Auburn, CA 95603  
 (530) 887-1110 FAX (530) 887-0807  
 www.1stsourcelight.com

**PROPRIETARY AND CONFIDENTIAL**

THE INFORMATION CONTAINED IN THIS DRAWING IS THE SOLE PROPERTY OF 1ST SOURCE LIGHTING. ANY REPRODUCTION IN PART OR AS A WHOLE WITHOUT THE WRITTEN PERMISSION OF 1ST SOURCE LIGHTING IS PROHIBITED.