



## Available Options



Patented Smart Controller



Optional photo control



Optional Motion Sensor

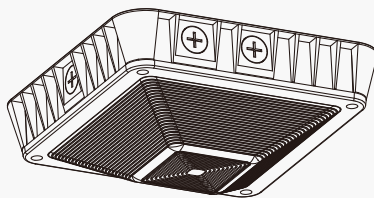


Quick mount

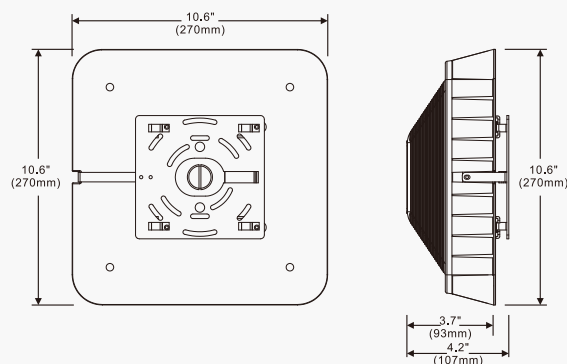


Optional Emergency Driver

## Line Drawing



## Dimensions



## Product Description:

This canopy light has a slim and low profile design which provides a safe and visually appealing lighting experience. Luminaire can be mounted directly or with 3/4" pendant mounting option. Quick mount structure allows for contractors to work safely and easily in the confined space areas.

With the patented smart controller, this canopy allows multiple wattages and CCT to choose from .

It is the perfect upgrade from a 100W metal halide lamp with the benefit of low maintenance cost.

Optional mounting and Kelvin color\* with adder.

## Features:

### LISTING

UL and CUL listed

### HOUSING

Solid construction die-cast aluminum body

### FINISH

UV stabilized power coated finish

### LENS

High impact PC diffuser

### MOUNT

Unique quick mount design

### OPTIONS

Glare - free

Finish - Bronze. Color option with adder

Optional Photocontrol

Optional Motion Sensor

Optional 8W Emergency Driver

347-480V option with adder

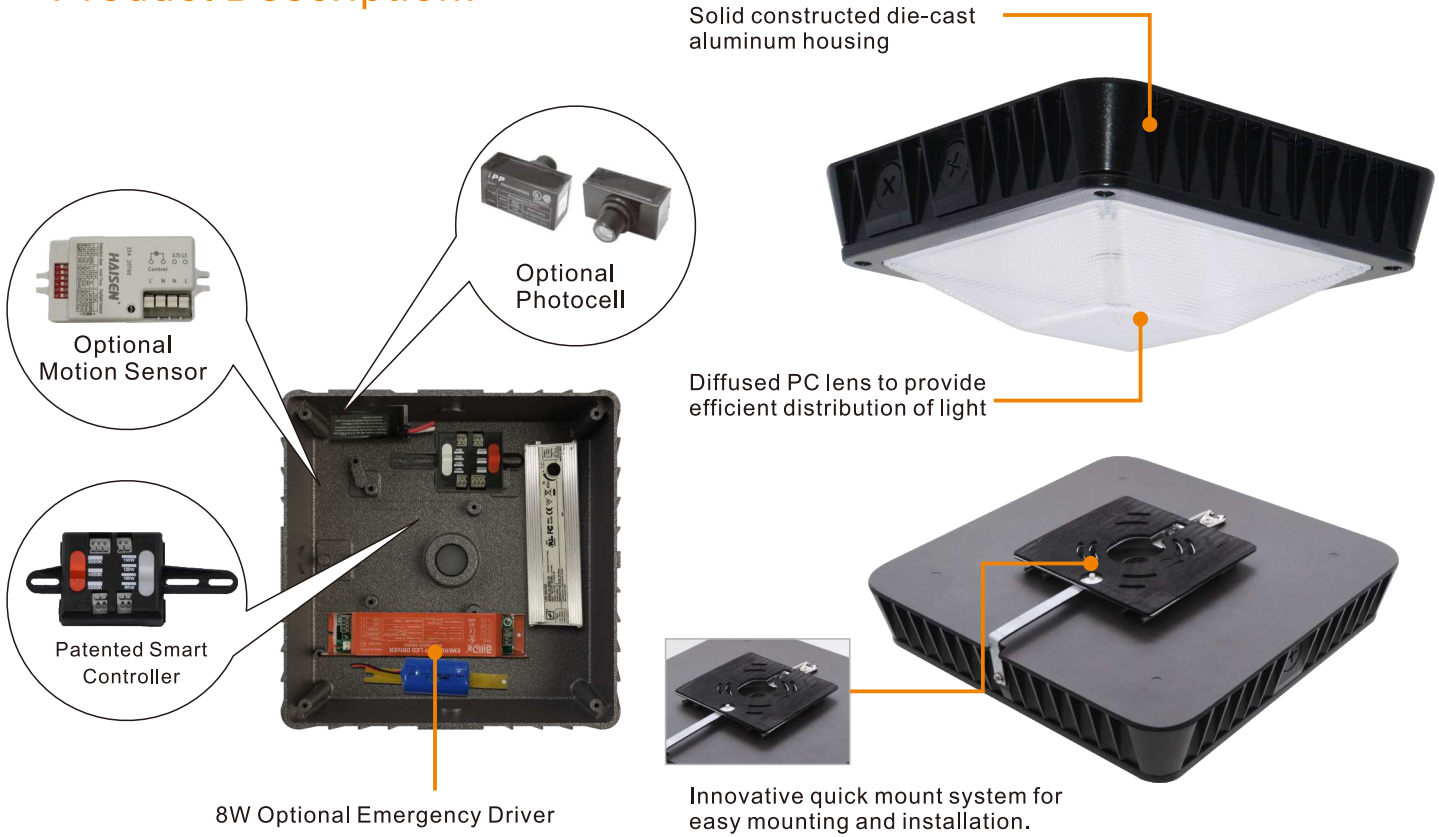


Meets 2022 DLC  
5.1 Requirements

\* Different LED Kelvin temperature available with 4-6 week lead time. Please call for a quote.

\*\* DISCLAIMER: This test report was produced in accordance with IES LM-79 photometric testing protocol for luminaires, using a single representative test fixture. Actual production units may vary from the values reported here by up to ±10%.

## Product Description:



## Performance Data

Model NO.	System Watts		
1ST-SCPY	19/37/55/61W	7668 lm**	133.4 lm/W*
**Lumen shows the highest wattage *Efficacy based on 4000K			

## Specification:

Model No.	System Watts	Input Voltage	CRI	Color Temp	Option	Finish	Starting Temp
1ST-SCPY	061=61W	UNV=120-277V	7=70+	TK=5000 K TK=4000 K TK=3000 K	Photocontrol FAO smart controller Occupancy sensor Emergency Driver	Bronze	-40°C ~ +50°C

\* Different LED Kelvin temperature available with 4-6 week lead time. Please call for a quote.  
 \*\* DISCLAIMER: This test report was produced in accordance with IES LM-79 photometric testing protocol for luminaires, using a single representative test fixture. Actual production units may vary from the values reported here by up to ±10%.