



1stSource Lighting

LED Area Light



Trunnion



Slip Fitter



Pole Mount



6032

www.1stsourcelighting.com

Product Description:

Pole Mount
This pole mount was designed to complement the fixture's aerodynamic shape.

Photocontrol
Optional photocontrol allows for further energy saving.

Integrated Heatsink
Integrated cooling fin provides excellent thermal dissipation. This design allows the fixture to have extremely long lifetime hours.

Door Frame
The door frame is designed with the installer in mind. It has a simple to use hinge access so allowing installers to be hands-free when entering electrical compartment. This saves time and money.

Bi-Level Sensor Control
Fixture has the option to add an occupancy sensor allowing bi-level dimming and harvest dimming. This provides maximum savings for the end-user.

Easy access to the control switch for a range of CCTs and wattages.

Proprietary Optical Control
Specifically designed lens Type III, IV, and V allow architects maximum freedom to design any layout without restraint. These optics are engineered for maximum light output.

Wattage Selectable

COLOR TUNABLE 3000K-5000K

Product Description:

This slick and modern luminaire has been designed to be powered efficiently. With a beautiful slimline design along with one of the highest lumen performance on the market, this versatile fixture can be used as an area light.

Features:

LISTING

- ▶ UL and cUL listed

HOUSING

- ▶ One piece die-cast aluminum body with die-cast hinge panel for easy installation access.

LEDS

- ▶ The most technologically advanced LED chips in the market

FINISH

- ▶ UV stabilized powder coated finish

LENS

- ▶ Optional Type III, Type IV, Type VS optics

OPTIONS

- ▶ Optional 347V or 480V with adder
- ▶ Bi-Level Dimmable or Photocontrol optional available with adder
- ▶ Finish - Bronze. Color option with adder
- ▶ Optional 10KV surge

Performance Data

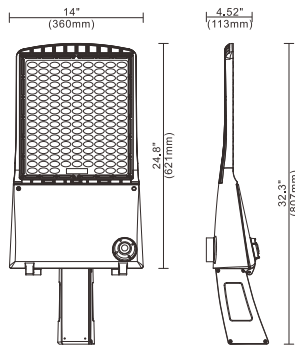
Model No.	Nominal Watts**	Lumens**	Efficacy**	Input Voltage
1ST-ALT	290 / 250 / 200W	39470 lm**	136 lm/W	UNV=120-277V HV4=347-480V

** Lumen and Efficacy are based on highest wattage 5000K

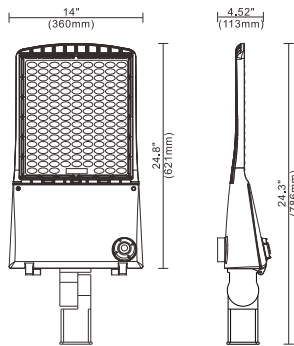
Specification:

Model No.	Nominal Watts**	Input Voltage	CRI	Color Temp	Distribution	Option		Finish	Starting Temp
						Accessories	Mounting		
1ST-ALT	290=290W	UNV=120-277V HV4=347-480V	7=70+	30=4000 K 40=4000 K 50=5000 K	T3=Type III T4=Type IV T5=Type V	XS =10kv Surge OS =Occupancy Sensor PE =Photocontrol 3R =3-pin Receptacle 5R =5-pin Receptacle 7R =7-pin Receptacle	PM =Pole Mount SF =Slip Fitter U =U Bracket (Trunion)	BZ=Bronze	-40°C

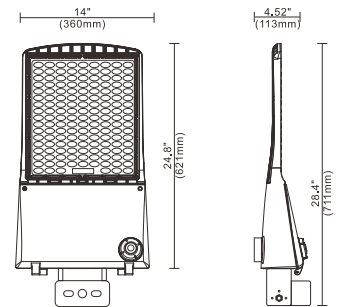
Dimension:



Pole Mount



Slipfitter



Trunion