

# BACKLIT LED PANEL LIGHT



1'x4' LED panel light,  
20, 30 and 40W, 120-277V input

## PRODUCT FEATURES

- CCT Selectable (3500/4000/5000K)
- Wattage Selectable (40/30/20W)
- Aluminum frame featuring stepped edge design detail and gloss white paint for improved aesthetics
- New backlit style design; fits standard T-grid ceilings
- Suitable for recessed or surface mount (with optional accessories)\*
- Construction features precise optical lenses over each individual

\* For use in non-fire rated installations only



- LED, offering optimal light diffusion and consistent surface illumination, with no risk of yellowing over product lifetime
- Suitable for damp locations
- Powered by 0-10V dimmable LED driver with built-in junction box
- Compatible with LED emergency backup
- Over 50% energy savings compared to traditional fluorescent troffers
- Operating temp range -20°C/-4°F to 40°C/104°F

## PERFORMANCE SPECIFICATIONS

Catalog Number	Input Voltage	Wattage	Color Temperature	Lumen Output	Efficacy	CRI	Power Factor	Lifetime
1ST-BLP-14-40W-PS	120-277V	40W	3500K	4,400	110 lm/W	>80	>0.9	50,000 Hours
			4000K	4,600	115 lm/W			
			5000K	4,450	111 lm/W			
	120-277V	30W	3500K	3,400	111 lm/W			
			4000K	3,600	120 lm/W			
			5000K	3,450	115 lm/W			
	120-277V	20W	3500K	2,400	111 lm/W			
			4000K	2,600	130 lm/W			
			5000K	2,450	123 lm/W			

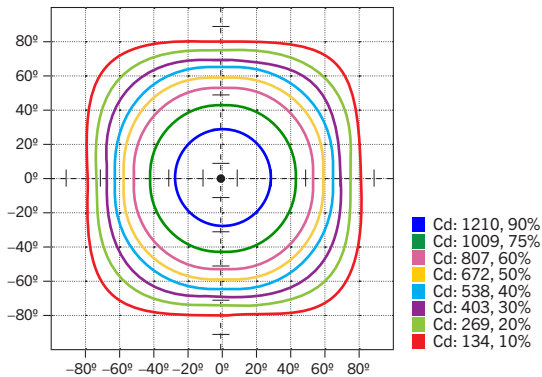
### ONE CATALOG NUMBER WITH 9 DIFFERENT OPTIONS

\* Preset to highest lumen output (40W / 5000K)

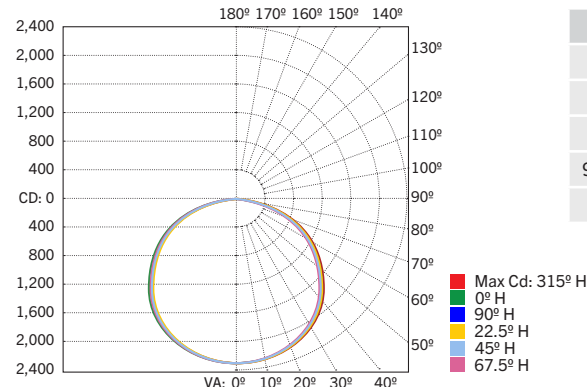
\* Color Uniformity: CCT (Correlated Color Temperature) range as per guidelines outlined in ANSI C78.377-2017.

## PHOTOMETRIC SPECIFICATIONS

### ISOCANDELA PLOT



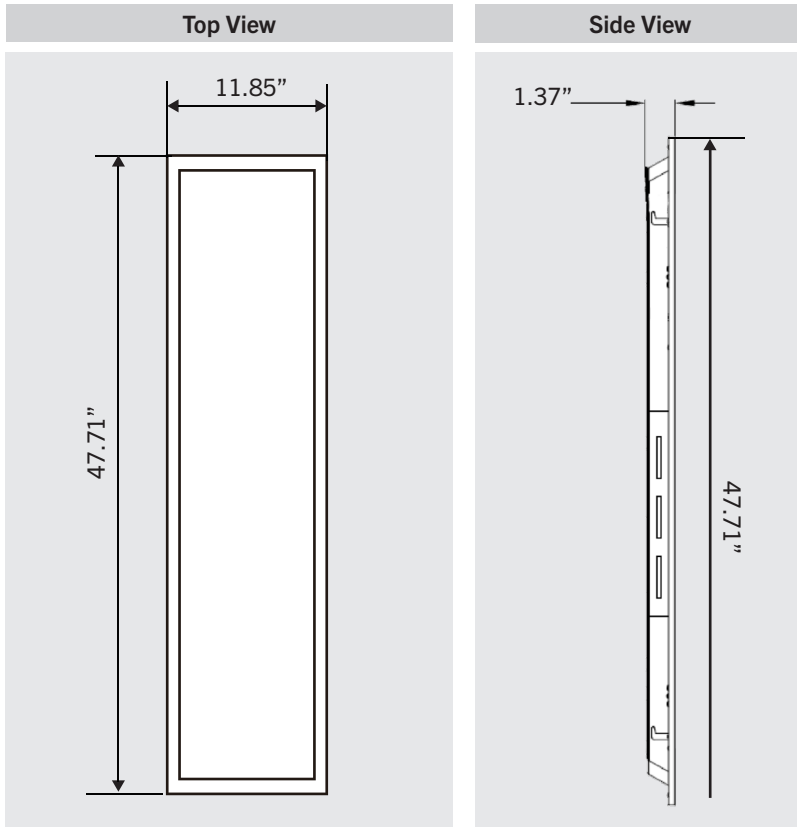
### POLAR CANDELA DISTRIBUTION



### ZONAL LUMEN SUMMARY

Zone	Lumens	% Luminaire
0-60	3,225.6	77.7%
60-90	920.1	22.2%
0-90	4,145.7	99.9%
90-180	3.9	0.1%
0-180	4,149.6	100%

## PHYSICAL SPECIFICATIONS



## WEIGHT INFORMATION

1 Piece	1 Carton (2)
6.2 lbs	12.4 lbs