

# ROUND LED CANOPY LIGHT



## Product Description:

This canopy light has a slim and low profile design which provides safe and a visually appealing lighting experience. Luminaire can be mounted directly to the ceiling with 3/4" pendant mounting option available. Quick mount structure for contractors to work safely and easily in the confined-space areas. It is a perfect solution to replace 150-250metal halide lamp with a benefit of low maintenance cost.

Optional mounting and Kelvin color\* with adder.

## Features:

### LISTING

UL and CUL listed for wet locations

### HOUSING

Solid construction die-cast aluminum body

### FINISH

UV stabilized power coated finish

### LENS

Unique quick mount design

### OPTIONS

Glare - free

Finish - Bronze. Color option with adder

## Available Options

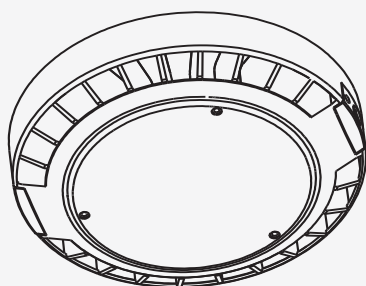


Optional photo control

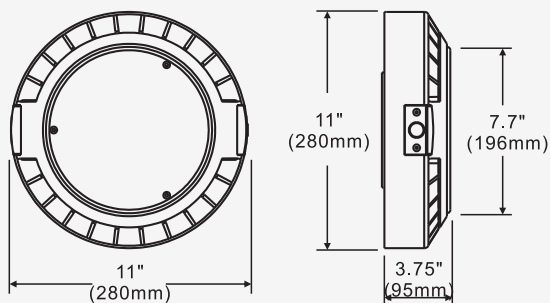


Quick mount

## Line Drawing



## Dimensions



## Specification

Model No. ▶	1ST-RCL	
System watts ▶	40	59
Lumen Output ▶	3843 lm**	5771 lm**
Color ▶	5000K	
MA ▶	950 MA	1400 MA
Input Voltage ▶	120~277V	
CRI ▶	70+	
Starting Temp ▶	-40°C	
Equivalent ▶	150W MH	250W MH

\* Different LED Kelvin temperature available with 4-6 week lead time. Please call for a quote.

\*\* DISCLAIMER: This test report was produced in accordance with IES LM-79 photometric testing protocol for luminaires, using a single representative test fixture. Actual production units may vary from the values reported here by up to ±10%.